

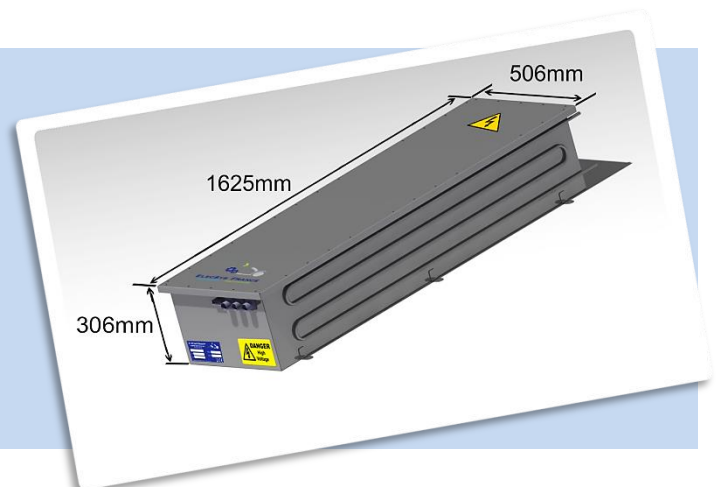
Lithium Iron Phosphate Battery (LiFePO<sub>4</sub>)

**ESF384LFP60, 23.04kWh**

Item	Unit	Specifications
		Value
Nominal capacity	Ah	60
Nominal voltage	V	384
Rated energy	Wh	23040
Min. op. voltage	V	336
Max. discharge current	A	110
Max. charge current	A	60
Standard charging time	h	4
Quick charging time	h	1
SOC range	%	10~90
Op. temperature charge	°C	0~45
Op. temperature discharge	°C	-20~55
Storage temperature	°C	-20~35
Weight	Kg	312
Cycle life	( 80DOD% )	≥1500
	( 70DOD% )	≥2000
Packaging	Box	stainless steel
	Box	IP67
Charge management		BMS
Electric protection	Power connector	IP67
	Pre-charging circuit	include
Communication		CAN
Output charger signal		CAN
		PWM
		TOR

### **ElecSys-France Batteries :**

- *designed for electric and hybrid vehicles and storage systems.*
- *connected with protected connectors against direct-contact to the High Voltage (HV).*
- *managed by a control board including BMS cards, security control system, dynamic control management of SOC, CAN, PWM charger signal, ignition signal, pre-charging circuit and an external 12V service.*



### **ELECSYS FRANCE SASU**

453, Rue du Breuil - Technoland - 25460 ETUPES  
Tél. +33 (0) 9 53 33 30 25 - Fax. +33 (0) 9 58 33 30 25  
[info@elecsys-france.com](mailto:info@elecsys-france.com) / [www.elecsys-france.com](http://www.elecsys-france.com)

